

Part No.: 0307-041

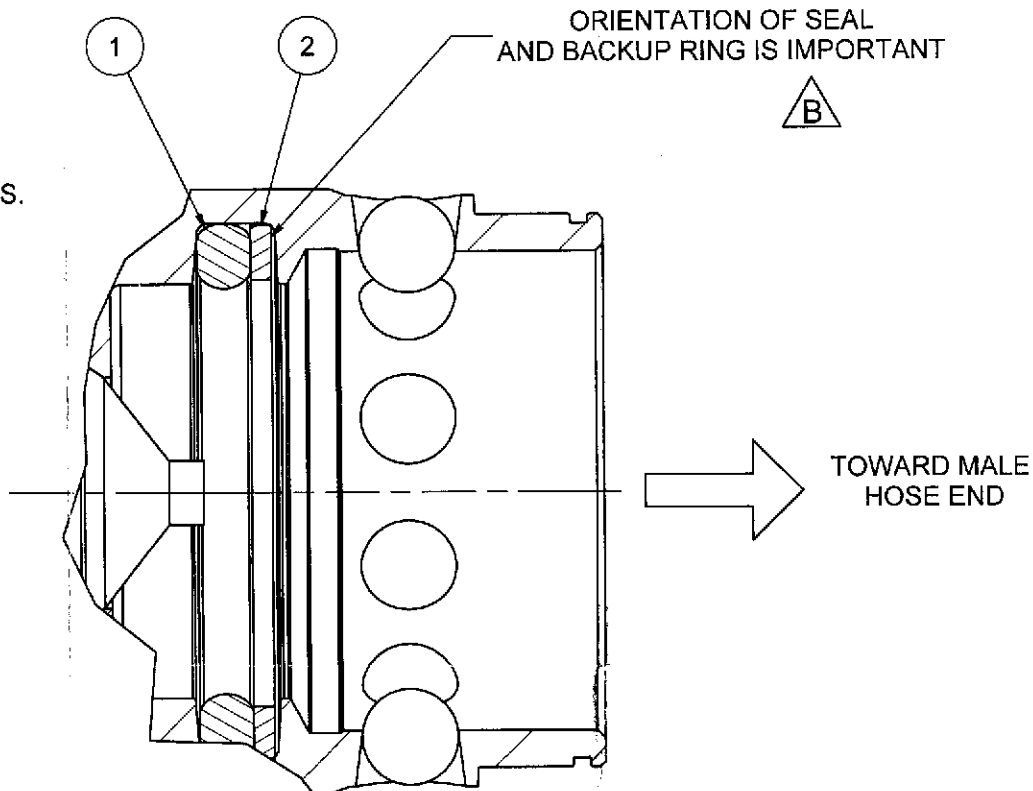
Rev No.

Title: SEAL KIT, BODY ASSEMBLY

B**NOTES:**

1. PACKAGE PARTS IN A 6 MIL POLYETHYLENE BAG OR COIN ENVELOPE OF SUITABLE SIZE.
2. INCLUDE A COPY OF THIS DRAWING IN THE SEAL KIT.
3. THIS KIT IS OPTIONAL REPLACEMENT FOR 9105-051 POLYURETHANE O-RING.
4. THIS KIT USED TO REPAIR ISO 5675 SIZE 12.5 DELUXE CARTRIDGES.
5. THIS KIT IS USED ON PARKER P/N: 0002-076

0206-030
0312-137
0510-007
9003-089
9705-005-0020
9810-018
DAC-501

**ILLUSTRATION PURPOSE ONLY**

ITEM	PART NUMBER	DESCRIPTION	QTY
1	9905-031	SEAL	1
2	9905-030	BACKUP RING	1

THIS DOCUMENT CONTAINS INFORMATION THAT IS CONFIDENTIAL AND PROPRIETARY TO PARKER HANNIFIN ("PARKER"). THIS DOCUMENT IS FURNISHED ON THE UNDERSTANDING THAT THE DOCUMENT AND THE INFORMATION IT CONTAINS WILL NOT BE COPIED OR DISCLOSED TO OTHERS OR USED FOR ANY OTHER PURPOSE THAN CONDUCTING BUSINESS WITH PARKER, AND WILL BE RETURNED AND ALL FURTHER USE DISCONTINUED UPON REQUEST BY PARKER. COPYRIGHT PARKER YEAR OF COPYRIGHT IS FIRST YEAR INDICATED ON THIS DOCUMENT. ALL RIGHTS RESERVED.

Modeled: G.M. STEFFEN

SHALL CONFORM TO ES1020

Drawn: G.M. STEFFEN

Date: 5/11/2011

Checked: B.K. FONER

Approved: G.M. STEFFEN

Quick Coupling
Division

Material: N/A

BASIC TOLERANCES

Wt:

Grade: N/A

2-Place .XX±.01

SQUARENESS
(MAX IN/IN)

.005

Part No.: 0307-041

Heat Treat: N/A

3-Place .XXX±.005

RUNOUT
(MAX F.I.M.)

.005

Title: SEAL KIT, BODY ASSEMBLY

Finish: N/A

4-Place .XXXX±.0005

MAX AA MACHINED
SURFACE ROUGHNESS

125

Reference:

CORNER BREAK
AND FILLETS

.001/.015

Location: MPLS

Scale: NONE

ECN

Rev

Revised by

Revision

Date

Folder:

Sheet 1 Of 1

Rev./Ver.

11-0163

B

G.M. STEFFEN

REVISED PER ECN 11-0163

5/11/2011

Drawing No.:

N/A

B